

**INSTALLATION  
INSTRUCTIONS**

**HEAVY DUTY FROST PLUG HEATER**

**CAUTION**



DO NOT plug in heater if heating element is not immersed in coolant. If not immersed, element sheath may burst and could result in personal injury.  
 USE a 50/50 solution of ethylene glycol antifreeze and water for optimum heater performance.  
 DO NOT use more than 65% concentration of antifreeze, as a shortened heater life will result.  
 DO NOT use heater in coolant system containing any form of stop-leak additive.

**HEATER INSTALLATION PROCEDURE**

1. Drain cooling system. Flush system if necessary. Remove core plug, as indicated in chart below.
2. Clean core hole surface thoroughly. Remove any burrs, compound, or paint. Burnish core hole surface with sandpaper or steel wool.
3. Apply a coating of grease to the heater O-ring and core hole surface to ease installation and prevent O-ring damage.
4. Install heater into core hole with element pointing in direction shown in chart.



**CAUTION**

Before installing heater, check to make sure tee bolt is located in channel groove.

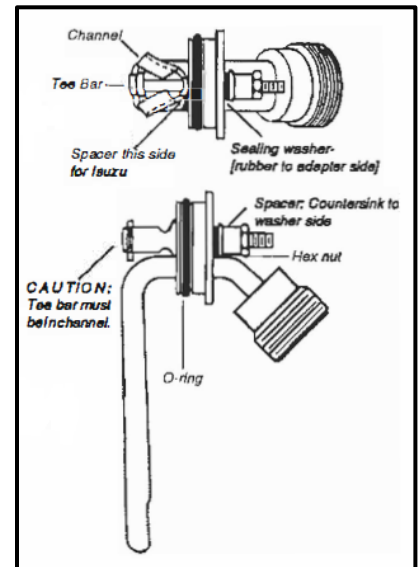
5. Tighten hex nut to 25 inch pounds torque-the channel opens to lock against the inside of block wall.
6. Insert power cord connector into socket, taking care to align pins with sockets of connector on cord. Press plug firmly into socket. Tighten strain relief nut securely by hand.
7. Refill cooling system with good grade permanent antifreeze solution. See CAUTION note above.



**CAUTION**

Before applying power to heater, remove all trapped air by running engine for 5-10 minutes after the thermostat opens (normal operating temperature).

8. Connect only to 120 Volt AC grounded outlet. If an extension cord is used, it must be the three-wire grounded type.



ENGINE MAKE & MODEL	FROST PLUG LOCATION	ELEMENT DIRECTION
Isuzu E-120, 6RB-1	Rear face, Right	Down
Mack E Series 672 cid w/ smooth bore hole	Left side	Down

**WARRANTY**

The Phillips & Temro Industries warranty statement is located on the website at [phillipsandtemro.com/terms](http://phillipsandtemro.com/terms).